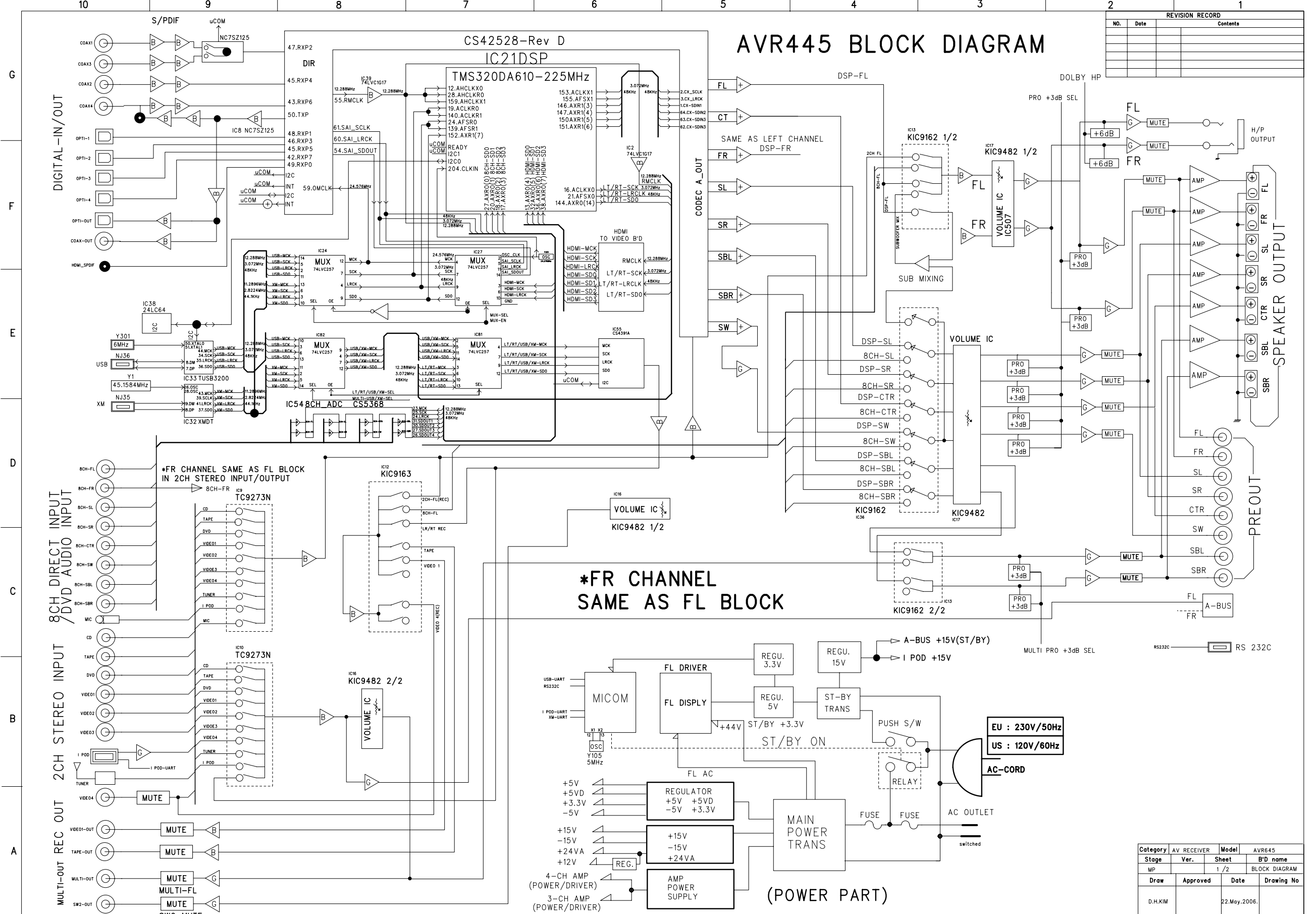


# AVR445 BLOCK DIAGRAM

REVISION RECORD		
NO.	Date	Contents



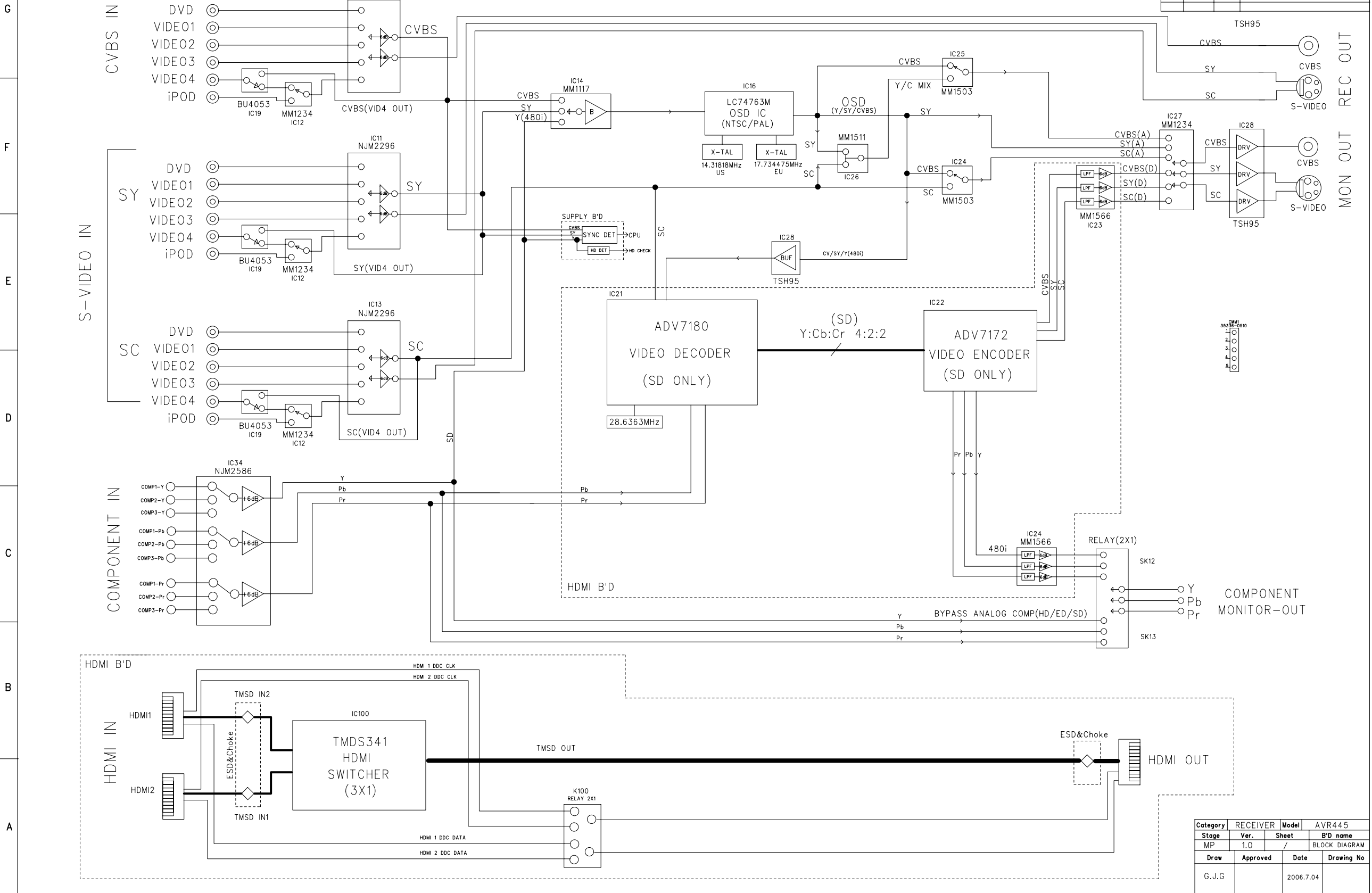
\*FR CHANNEL SAME AS FL BLOCK

(POWER PART)

Category	AV RECEIVER	Model	AVR645
Stage	MP	Sheet	1 / 2
Draw	Approved	Date	22.May.2006.
		Drawing No	B'D name
			AVR445 BLOCK DIAGRAM

REVISION RECORD		
NO.	Date	Contents

# AVR445 VIDEO BLOCK DIAGRAM

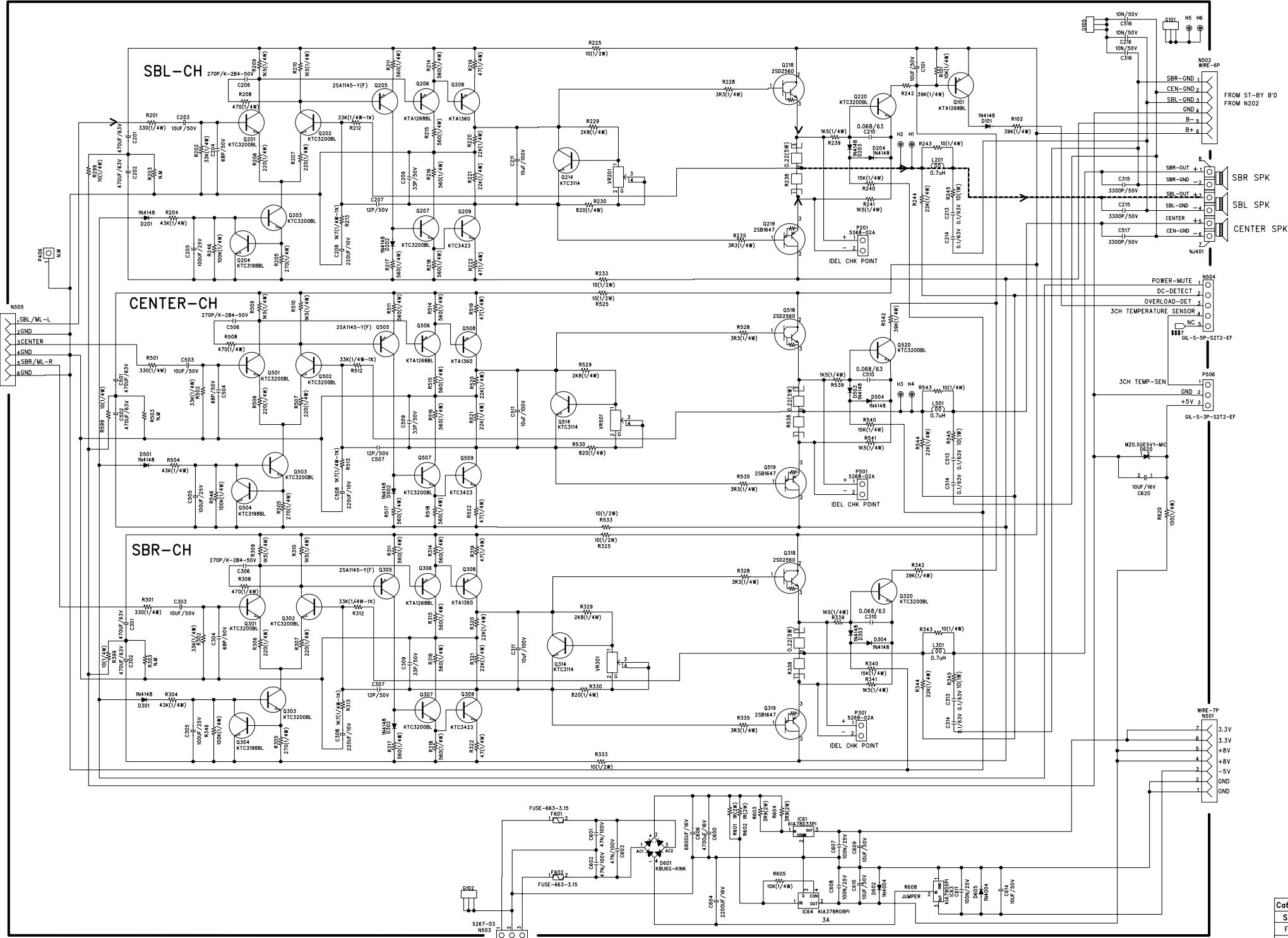


Category	RECEIVER	Model	AVR445
Stage	Ver.	Sheet	B'D name
MP	1.0	/	BLOCK DIAGRAM
Draw	Approved	Date	Drawing No
G.J.G		2006.7.04	

REVISION RECORD		
NO.	Date	Contents

# SCHEMATIC DIAGRAM AVR445-US CENTER SB AMP B'D

harman kardon

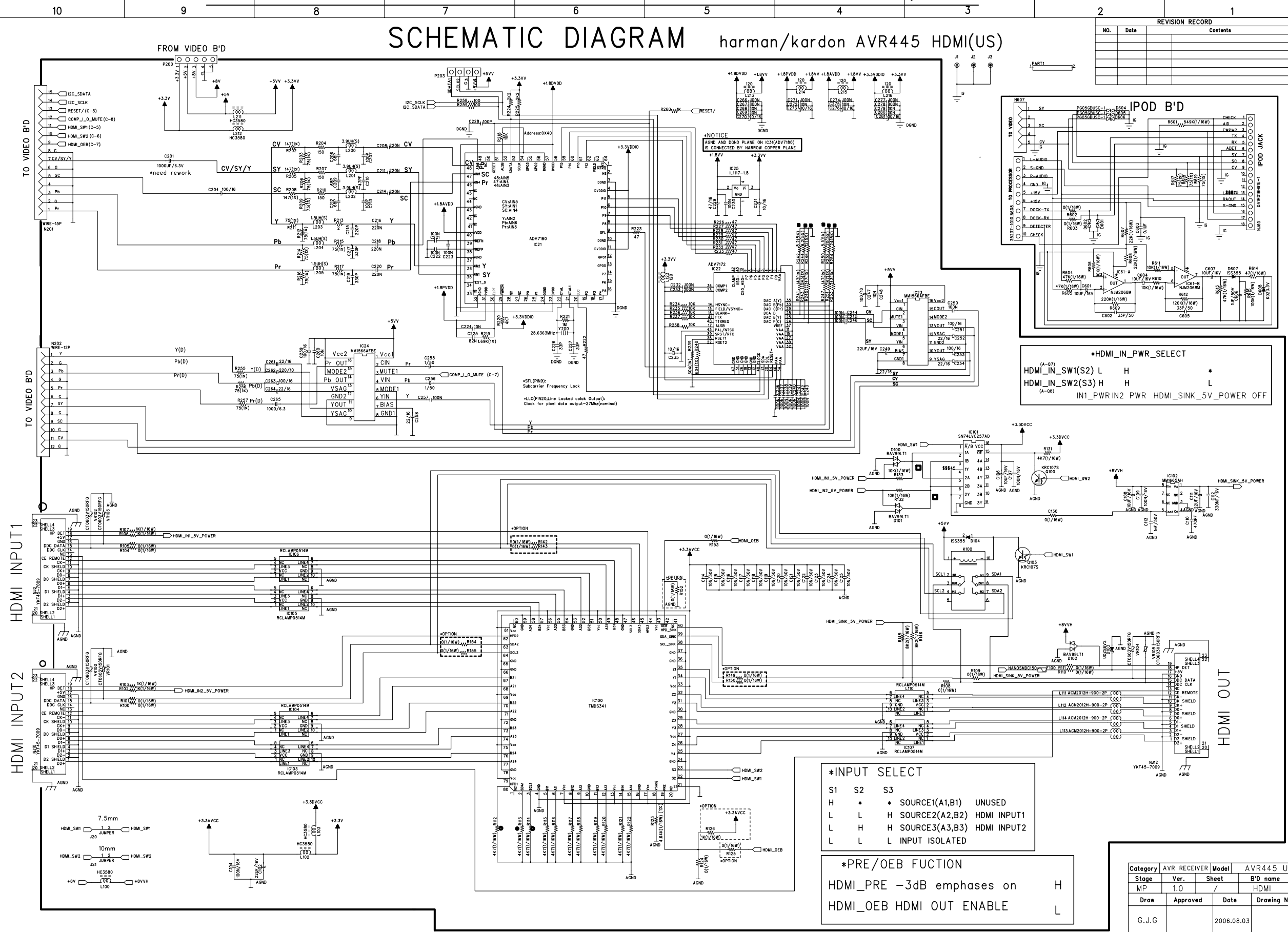


Category	AV RECEIVER	Model	AVR445-US
Stage	Ver.	Sheet	B'D name
FTMS		1 / 1	SURROUND
Draw	Approved	Date	Drawing No
KIM.S.Y		23.May.2006	

# SCHEMATIC DIAGRAM harman/kardon AVR445 HDMI(US)

REVISION RECORD		
NO.	Date	Contents

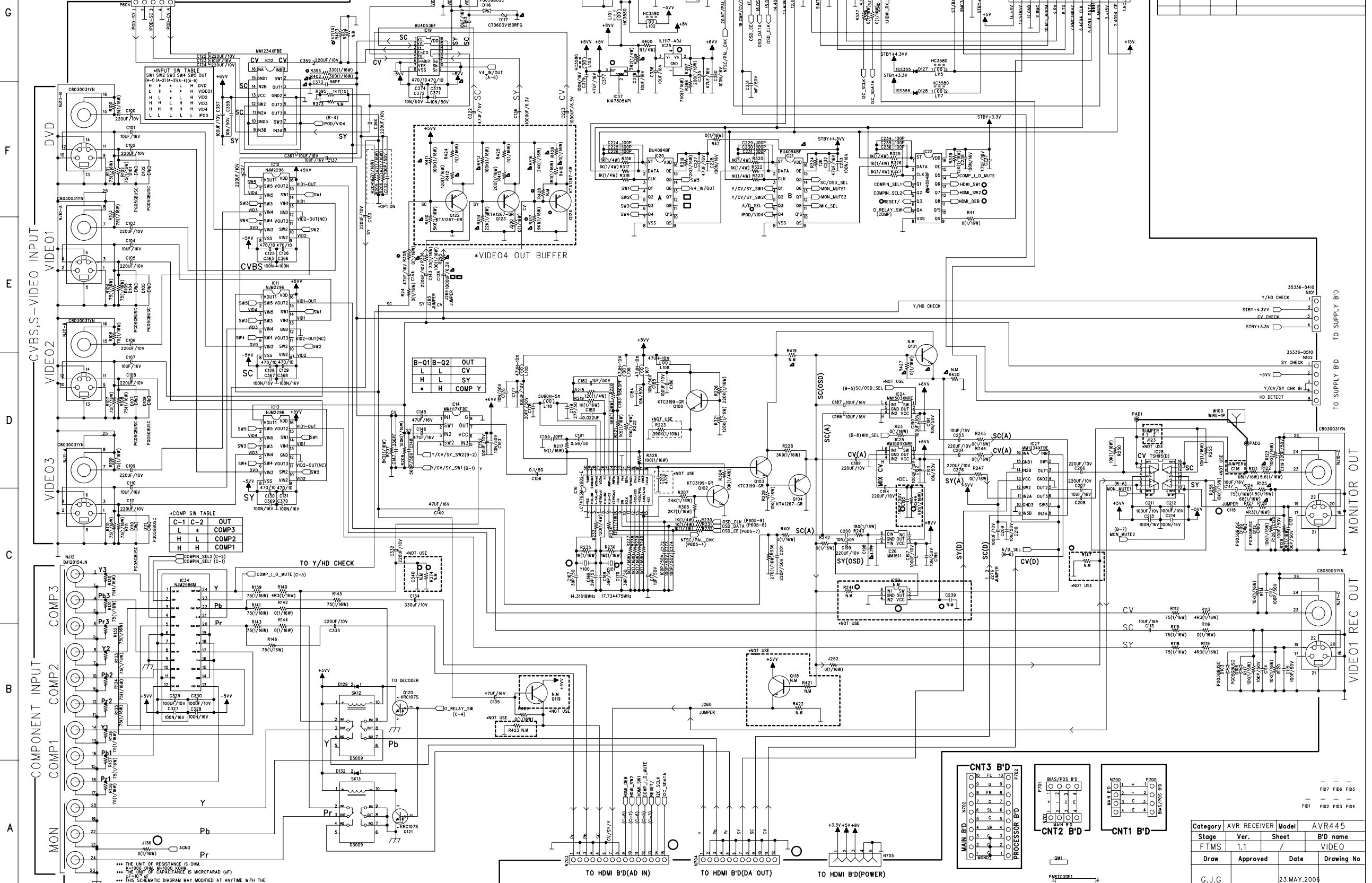
G  
F  
E  
D  
C  
B  
A



# SCHEMATIC DIAGRAM

## harman/kardon AVR445 VIDEO

REVISION RECORD		
No.	Date	Contents



G

F

E

D

C

B

A

FROM IPOD B'D

FROM SURROUND B'D

TO FRONT B'D

TO DSP B'D 4

FROM SUPPLY B'D

TO RS232 B'D

DVD

VIDEO 01

VIDEO 02

VIDEO 03

COMP 3

COMP 2

COMP 1

MON

MONITOR OUT

VIDEO 01 REC OUT

TO FRONT B'D

TO SURROUND B'D

TO DSP B'D 4

FROM SUPPLY B'D

TO RS232 B'D

TO Y/HD CHECK

TO DECODER

TO HDMI B'D (AD IN)

TO HDMI B'D (DA OUT)

TO HDMI B'D (POWER)

MAIN B'D

PROCESSOR B'D

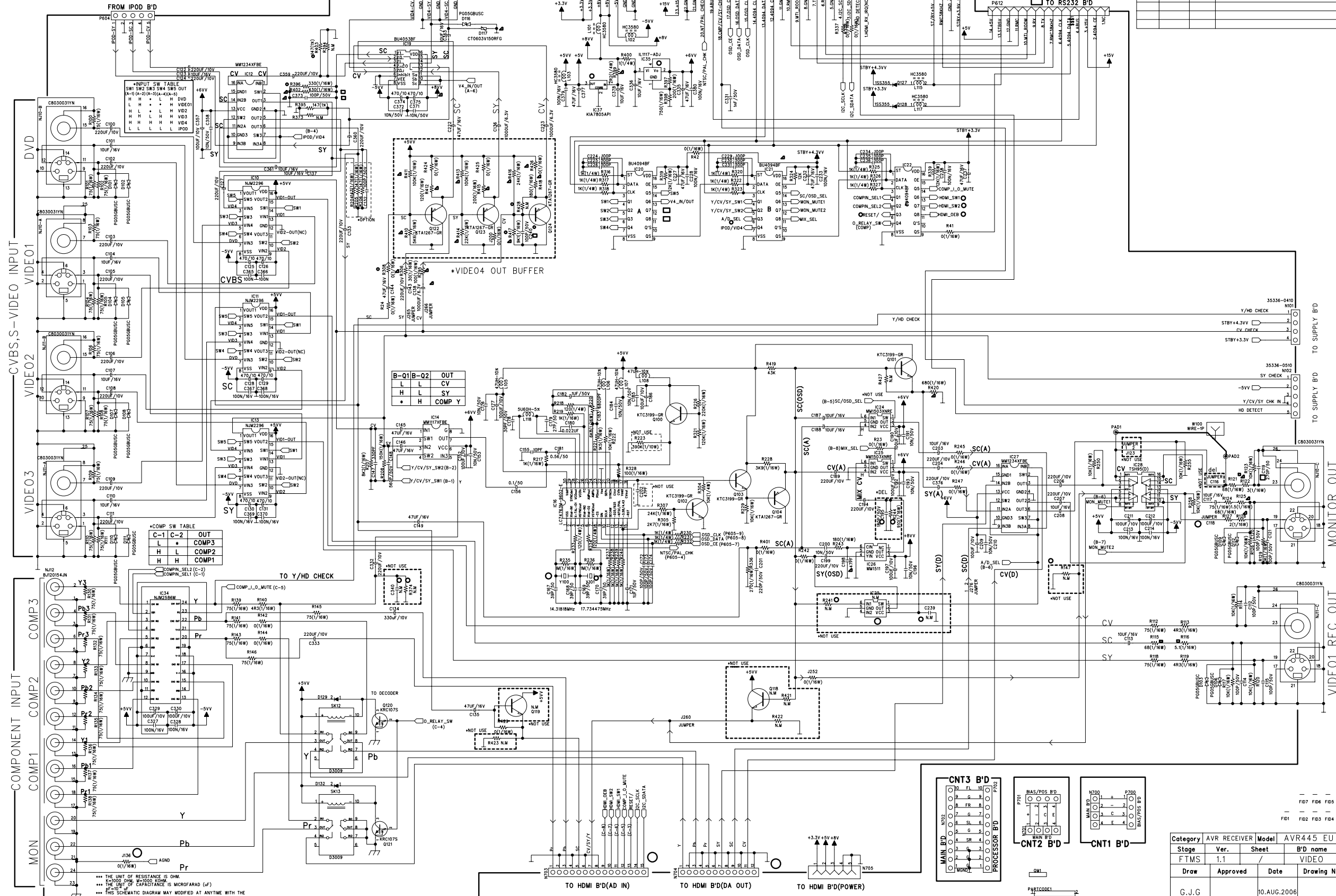
CNT2 B'D

CNT1 B'D

Category	AVR RECEIVER	Model	AVR445
Stage	Ver.	Sheet	B'D name
FTMS	1.1	/	VIDEO
Draw	Approved	Date	Drawing No
G.J.G		23.MAY.2006	

# SCHEMATIC DIAGRAM

REVISION RECORD		
No.	Date	Contents



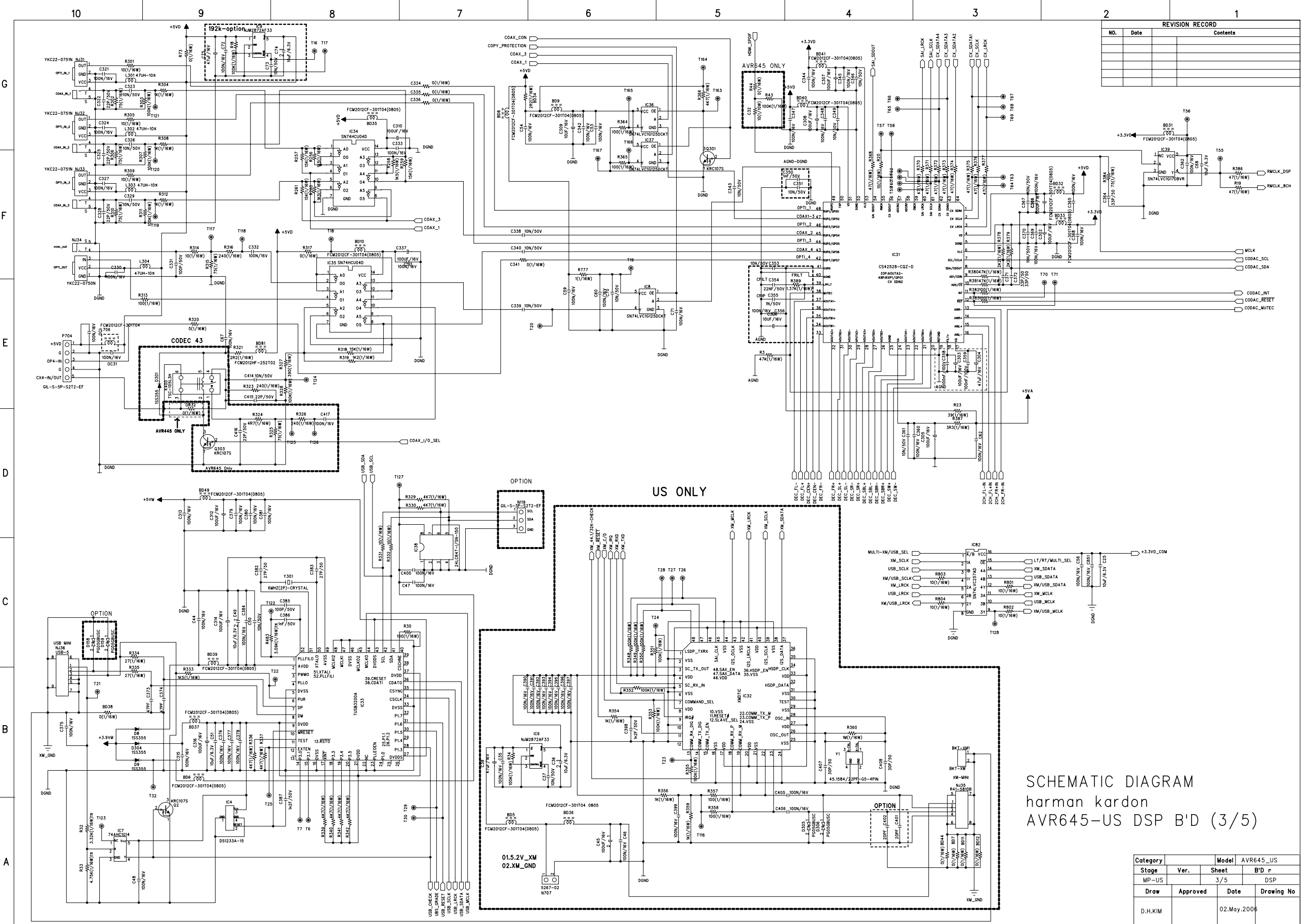
Category	AVR RECEIVER	Model	AVR445 EU
Stage	Ver.	Sheet	B'D name
FTMS	1.1	/	VIDEO
Draw	Approved	Date	Drawing No
G.J.G		10.AUG.2006	







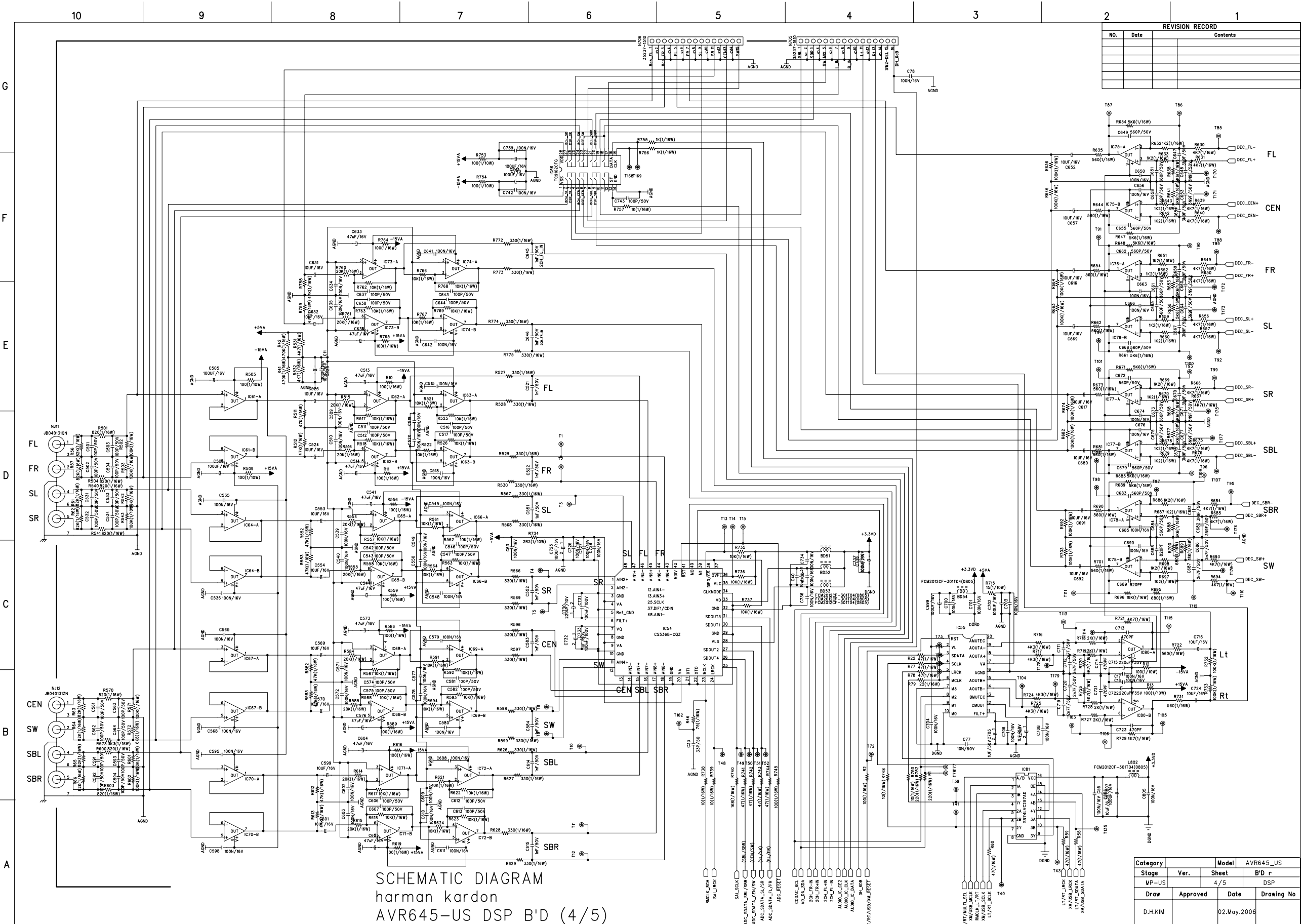
REVISION RECORD		
NO.	Date	Contents



SCHEMATIC DIAGRAM  
harman kardon  
AVR645-US DSP B'D (3/5)

Category	Model
Stage	MP-US
Ver.	3/5
Sheet	DSP
Draw	Approved
Date	02.May.2006
Drawing No	

REVISION RECORD		
NO.	Date	Contents



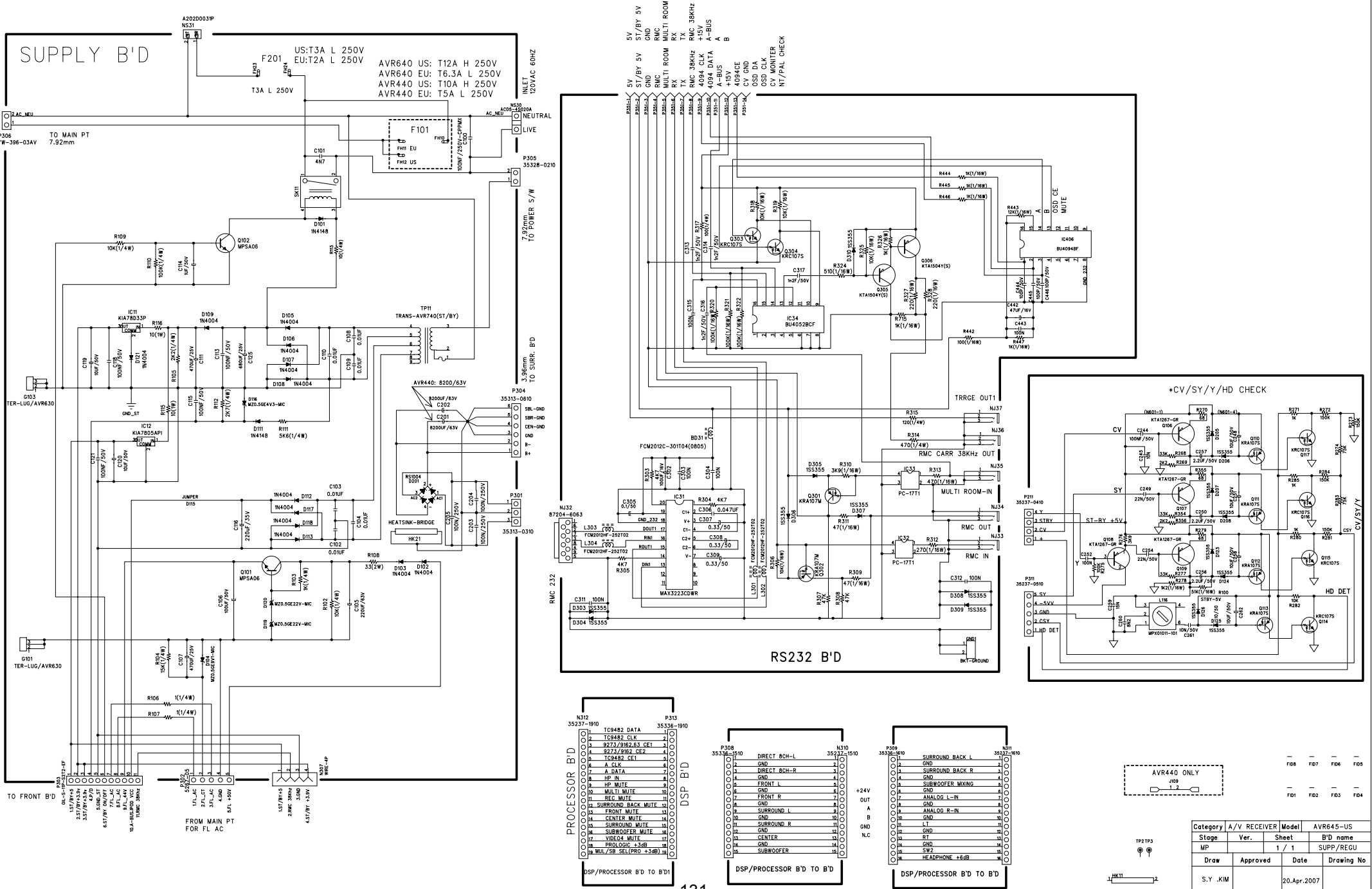
SCHEMATIC DIAGRAM  
 harman kardon  
 AVR645-US DSP B'D (4/5)

Category	Model	AVR645_US
Stage	Ver.	Sheet
MP-US		4/5
Draw	Approved	Date
D.H.KIM		02.May.2006
		DSP
		Drawing No

# SCHEMATIC DIAGRAM AVR445-US SUPPLY & RS232

harman kardon

REVISION RECORD		
NO.	Date	Contents



PROCESSOR B'D

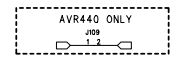
1	5V	ST/BY 5V
2	AVR445	AVR445
3	AVR445	AVR445
4	AVR445	AVR445
5	AVR445	AVR445
6	AVR445	AVR445
7	AVR445	AVR445
8	AVR445	AVR445
9	AVR445	AVR445
10	AVR445	AVR445
11	AVR445	AVR445
12	AVR445	AVR445
13	AVR445	AVR445
14	AVR445	AVR445
15	AVR445	AVR445
16	AVR445	AVR445
17	AVR445	AVR445
18	AVR445	AVR445
19	AVR445	AVR445
20	AVR445	AVR445

DSP B'D

1	AVR445	AVR445
2	AVR445	AVR445
3	AVR445	AVR445
4	AVR445	AVR445
5	AVR445	AVR445
6	AVR445	AVR445
7	AVR445	AVR445
8	AVR445	AVR445
9	AVR445	AVR445
10	AVR445	AVR445
11	AVR445	AVR445
12	AVR445	AVR445
13	AVR445	AVR445
14	AVR445	AVR445
15	AVR445	AVR445
16	AVR445	AVR445
17	AVR445	AVR445
18	AVR445	AVR445
19	AVR445	AVR445
20	AVR445	AVR445

DSP/PROCESSOR B'D TO B'D

1	AVR445	AVR445
2	AVR445	AVR445
3	AVR445	AVR445
4	AVR445	AVR445
5	AVR445	AVR445
6	AVR445	AVR445
7	AVR445	AVR445
8	AVR445	AVR445
9	AVR445	AVR445
10	AVR445	AVR445
11	AVR445	AVR445
12	AVR445	AVR445
13	AVR445	AVR445
14	AVR445	AVR445
15	AVR445	AVR445
16	AVR445	AVR445
17	AVR445	AVR445
18	AVR445	AVR445
19	AVR445	AVR445
20	AVR445	AVR445

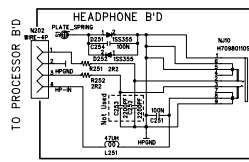
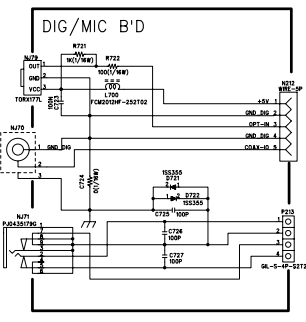
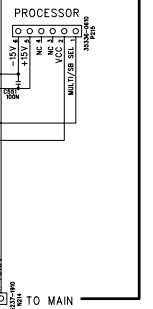
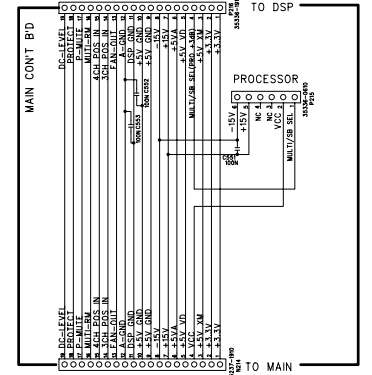
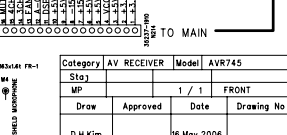
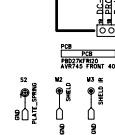
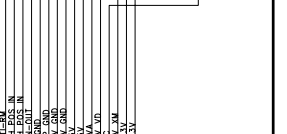
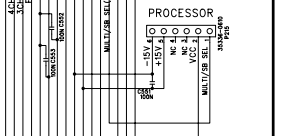
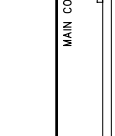
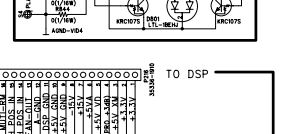
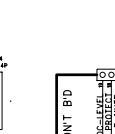
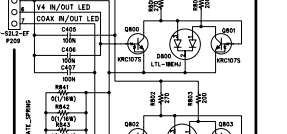
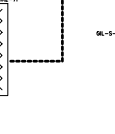
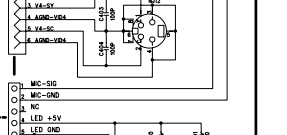
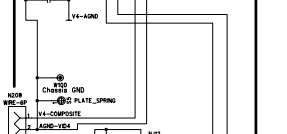
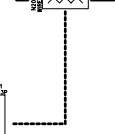
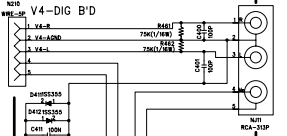
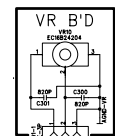
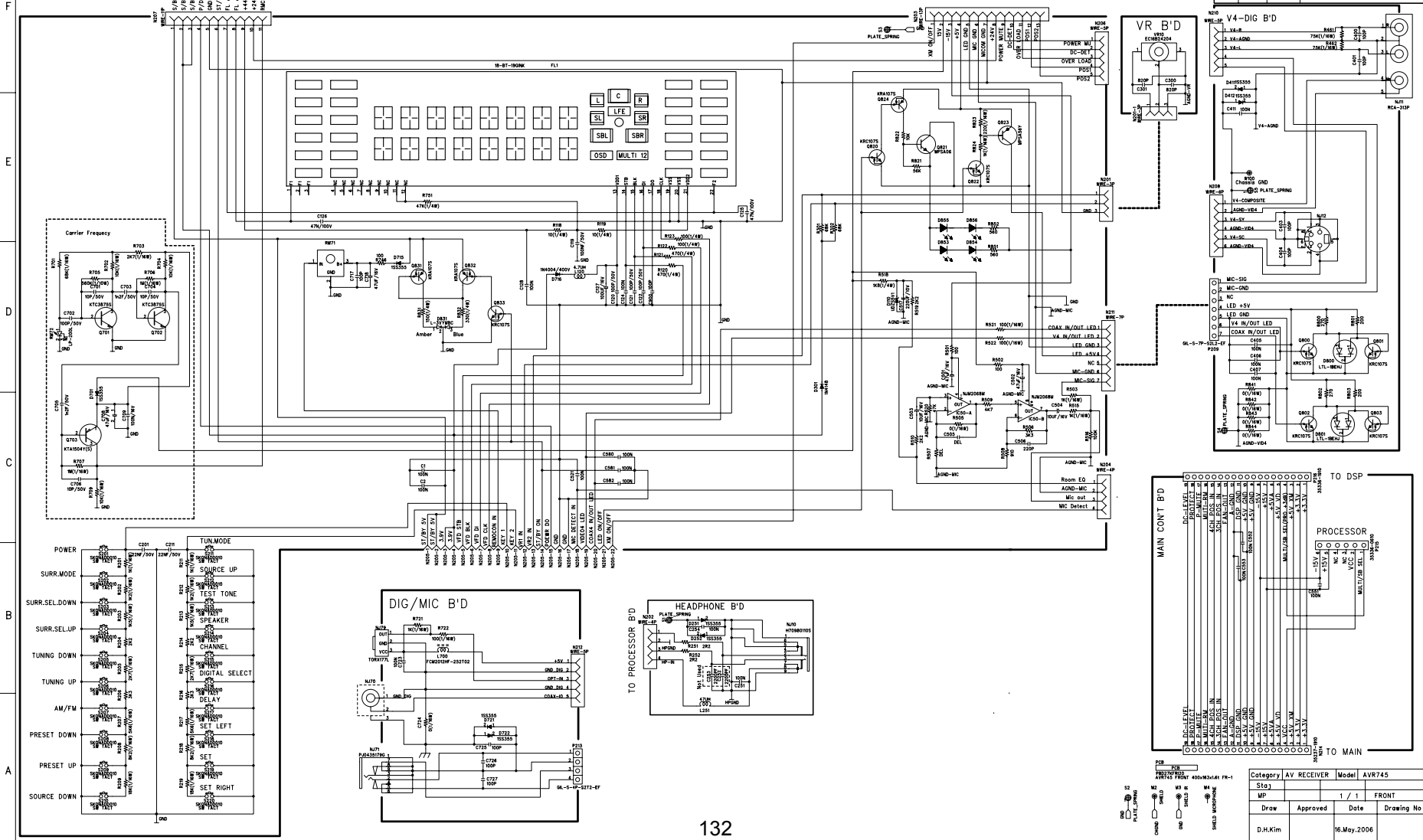


Category	A/V RECEIVER	Model	AVR645-US
Stage	Ver.	Sheet	B'D name
MP		1 / 1	SUPP/REGU
Draw	Approved	Date	Drawing No
S.Y. KIM		20.Apr.2007	

SCHEMATIC DIAGRAM

harman/kardon  
AVR745 FRONT

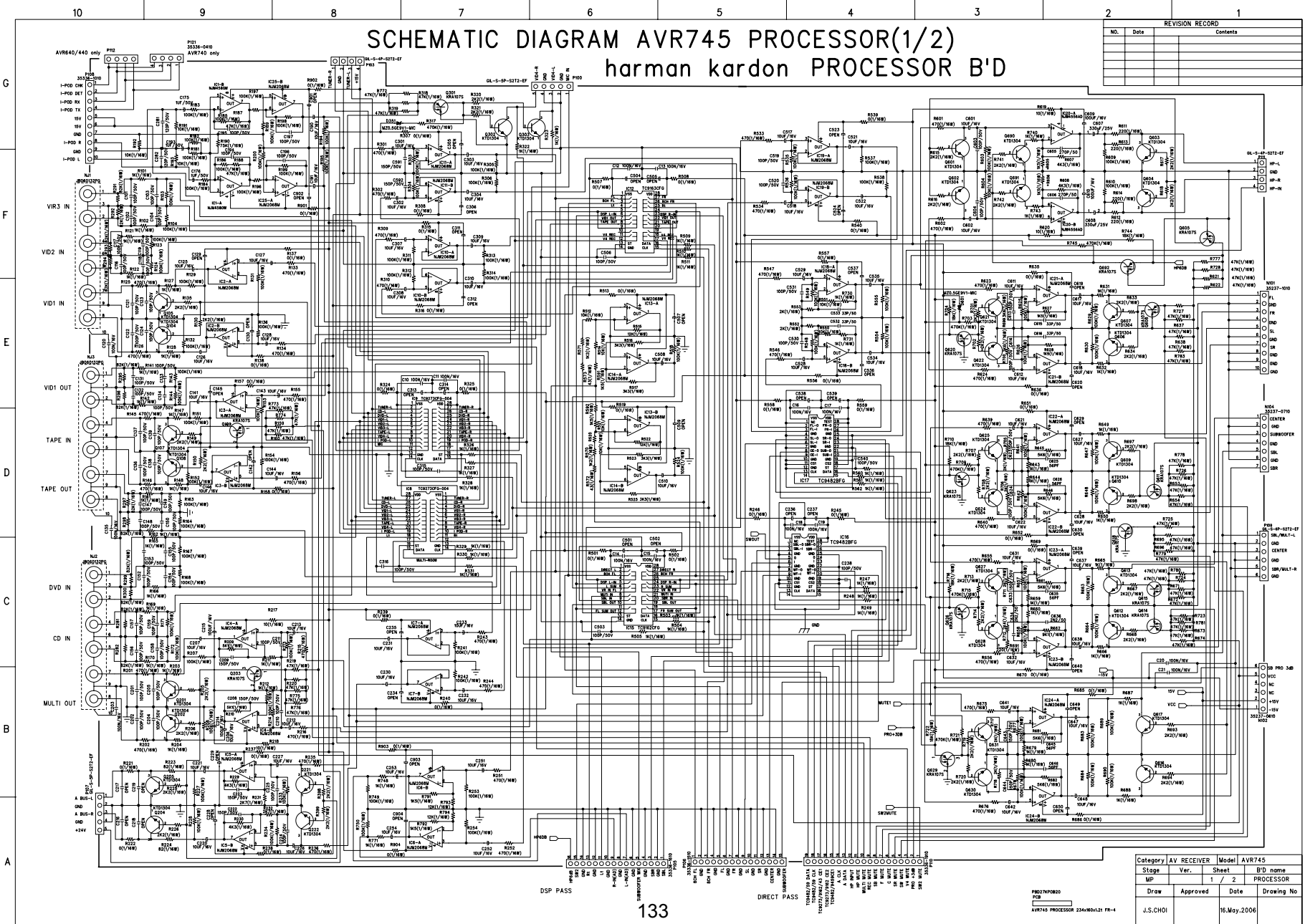
REVISION RECORD		
NO.	Date	Contents



Category	AV RECEIVER	Model	AVR745
MP	1 / 1	FRONT	
Draw	Approved	Date	Drawing No
D.H.Kim		16.May.2006	

SCHMATIC DIAGRAM AVR745 PROCESSOR(1/2)  
harman kardon PROCESSOR B'D

REVISION RECORD		
NO.	Date	Contents



DSP PASS

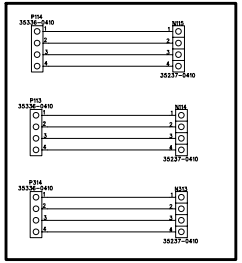
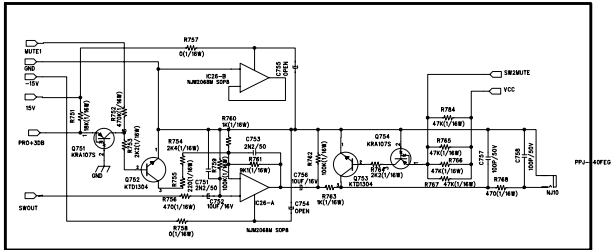
DIRECT PASS

Category AV RECEIVER Model AVR745			
Stage	Ver.	Sheet	B'D name
MP	1	2	PROCESSOR
Draw	Approved	Date	Drawing No
J.S.CHOI		18.May.2006	

10 9 8 7 6 5 4 3 2 1

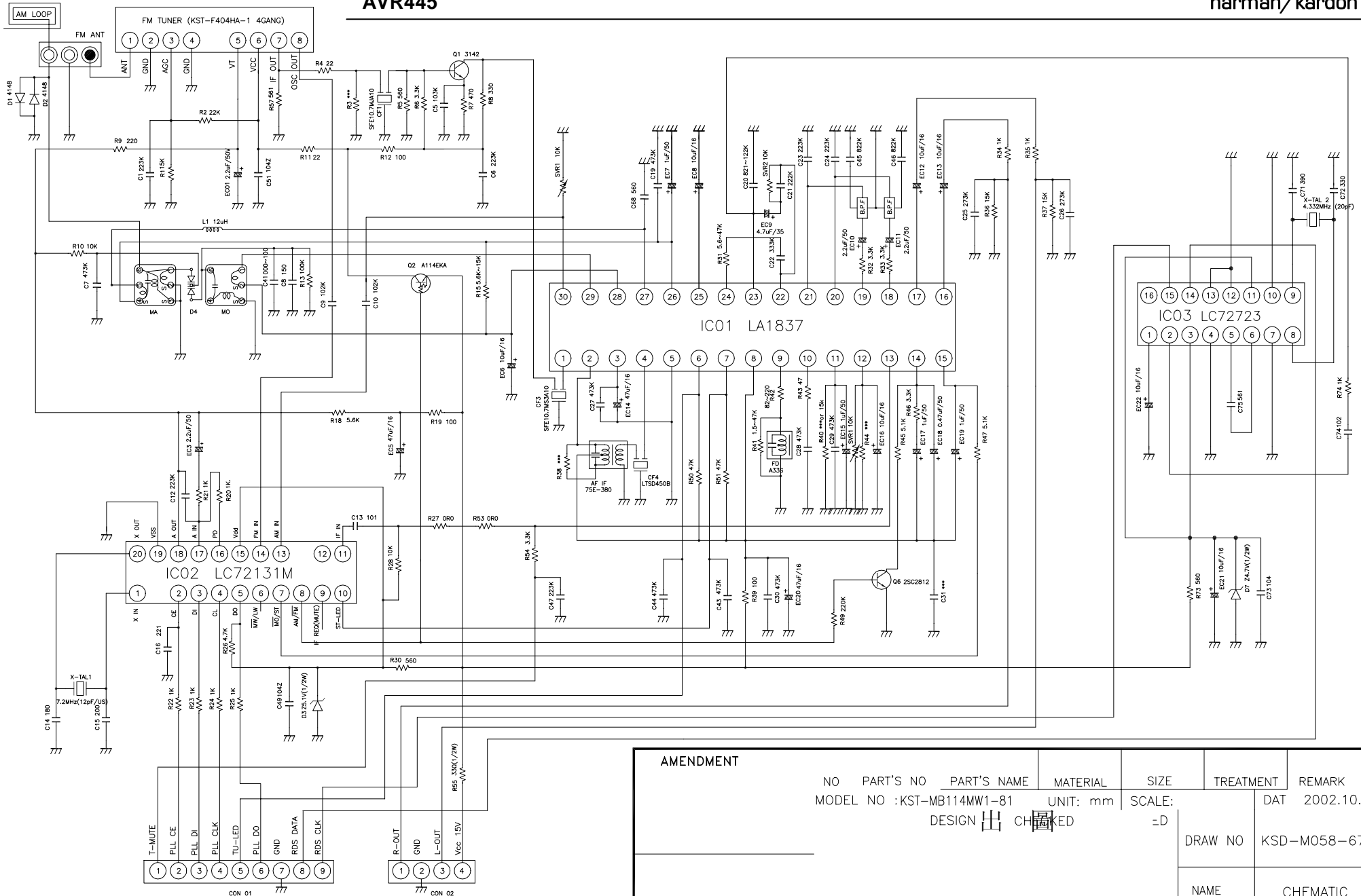
REVISION RECORD		
No.	Date	Contents

SCHEMATIC DIAGRAM AVR745 PROCESSOR (2/2)  
harman kardon PROCESSOR B'D



Category	AV RECEIVER	Model	AVR745
Stage	Ver.	Sheet	B'D name
MP		2 / 2	PROCESSOR
Draw	Approved	Date	Drawing No
J.S.CHOI		16.May.2006	





AMENDMENT

NO	PART'S NO	PART'S NAME	MATERIAL	SIZE	TREATMENT	REMARK
	MODEL NO : KST-MB114MW1-81		UNIT: mm	SCALE:		DAT 2002.10.19
	DESIGN		CHANGED	-D		

DRAW NO	KSD-M058-67RS
NAME	CHEMATIC

\*Note. The Component values of this Schematic diagram are subject to change without notice for improvement.